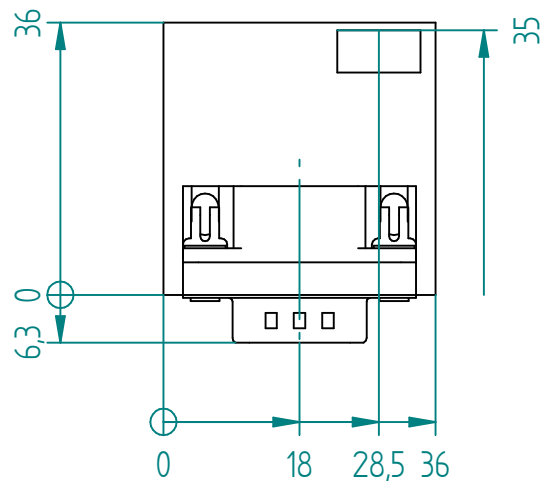
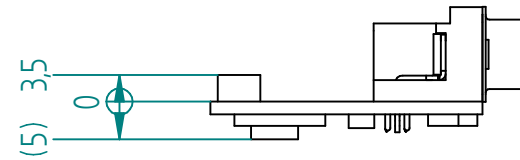
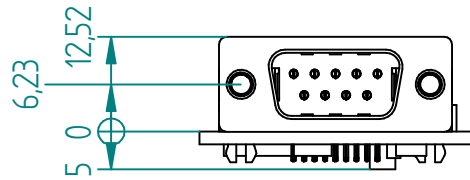


REVISION HISTORY

REV	DESCRIPTION	DATE	APPROVED



	NAME	DATE	Solid Edge		
DRAWN	el	10/13/15			
CHECKED			TITLE		
ENG APPR			CPC-USB/embedded		
MGR APPR			SIZE	DWG NO	REV
UNLESS OTHERWISE SPECIFIED DIMENSIONS ARE IN MILLIMETERS ANGLES ±X.X° 2 PL ±X.XX 3 PL ±X.XXX			A4		
			FILE NAME: USB_embedded.dft		
			SCALE:	WEIGHT:	SHEET 1 OF 1