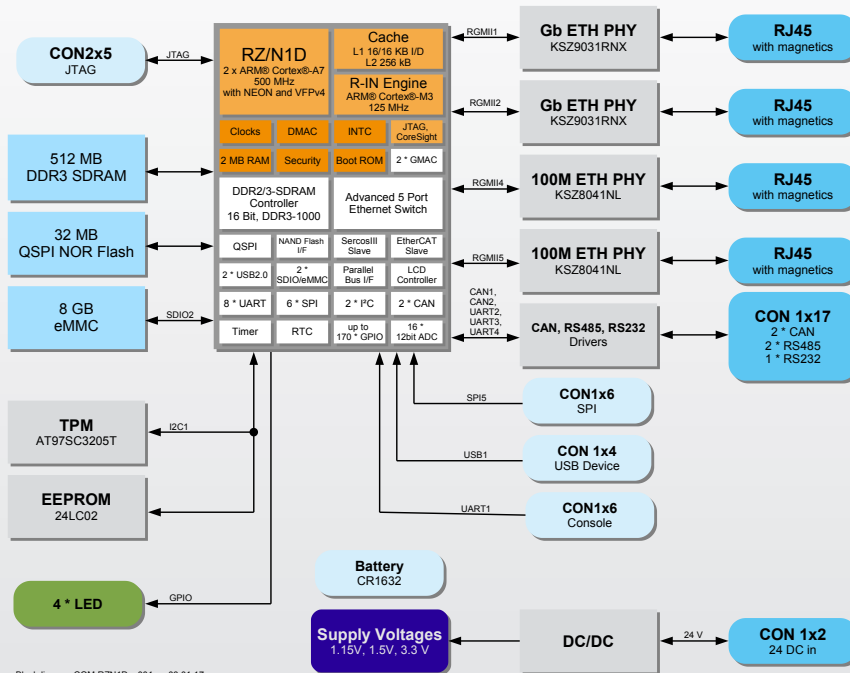
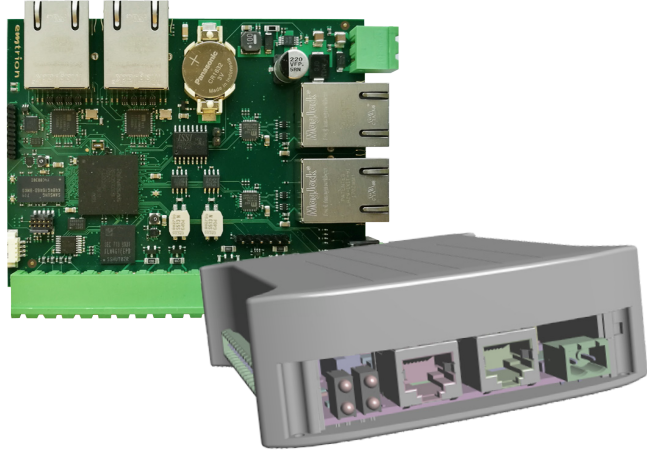


Flex2COM

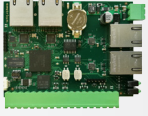



Getting started with your embedded development!

Reduce your time to market with our Developer Kits!

With an developer kit you can easily start your application development and reduce your time to market.

Our engineers are unique experts in hardware and software development. The embedded solutions are all from one source.

	COMM-RZ/N1D	Flex2COM
	 COMING SOON	 COMING SOON
Linux		yes
CANopen Master/Slave		yes
EtherNet/IP		yes
DLR („Device Level Ring“)		yes
EtherCAT		coming soon
PROFINET CCB RT1		yes
Industrial Communication Middleware		GOAL by Port
CPU manufacturer		Renesas RZ/N1D
CPU architecture		ARM Cortex-A7 (dual core)
CPU performance		2x 500 MHz
Co-Processor		Cortex-M3 @ 125MHz
RAM		512 MB DDR3-SDRAM
Flash		8 GB NAND Flash
Ethernet		2x 100 Base TX / 2x 1000 Base TX
UART: RS232/RS485		1/2
CAN		2 x 2.0 A/B
RTC (battery buffered)		yes
Size in mm	110 x 90 x 15	120 x 100 x 35
max. power consumption	10...30V / 200mA @ 24V	
Operating temperature	0...+70°C, opt. -40...+85°C	
Mounting	-	t-rail
CE Marking	-	yes
Emmission	-	EN 55011/CISPR11; Class A
EMC	-	EN 61000-6-2
Signaling	4 LEDs, protocol-specific	

Subject to change without notice.
Rev1: 04/2018



Port GmbH
Regensburger Str. 7b
D-06132 Halle/Saale
Tel. +49 (0) 345 77755-0
Fax +49 (0) 345 77755-20
E-Mail service@port.com

Visit us online at:
www.port.de